

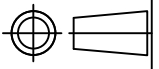


SHREENATH ENGINEERING

PLOT NO-B/22, ZAVERI ESTATE,
NR. KATHWADA G.I.D.C., KATHWADA-SINGARVA ROAD,
KATHWADA, AHMEDABAD-382 430, GUJARAT, INDIA.
Mobile:- +91 9825530462, 9979082211
E-mail: neconvalves@yahoo.com / Website : www.neconvalves.com

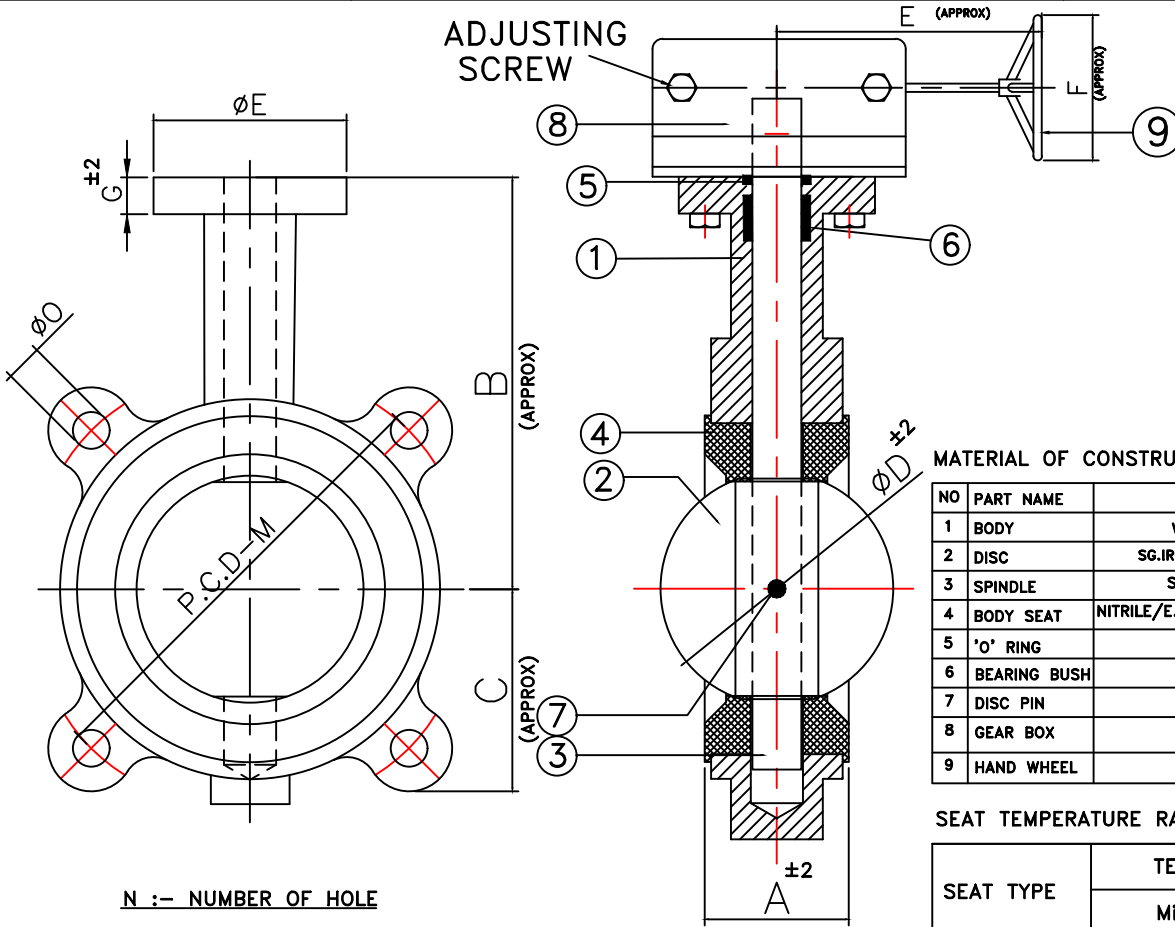
DRN
ABDUL

DATE
10/06/2024



LUG TYPE BUTTER FLY VALVE.

DRG. NO : SE/LUG-BFV/GO/40-80



N :- NUMBER OF HOLE

NOTE : ALL DIMENSION ARE IN MM.

SIZE		A	B	C	D	E	F	G	M	N	O	TOP FLANGE MOUNTING (I.S.O 5211)
MM	INCH								PCD			
40	1½"	36	90	50	40	165	170	9	98.4	4	16	F05
50	2	43	104	64	50	165	170	9	121	4	19	F05
65	2½"	46	105	67	65	165	170	9	140	4	19	F05
80	3"	46	110	76	75	165	170	9	152	4	19	F05

MATERIAL OF CONSTRUCTION

NO	PART NAME	MATERIAL
1	BODY	WCB/CF8/CF8M/CF3/CF3M
2	DISC	SG.IRON/WCB/CF8/CF8M/CF3/CF3M
3	SPINDLE	SS 410/304/316/304L/316L
4	BODY SEAT	NITRILE/E.P.D.M./SILICON/VITON/HYPALON
5	'O' RING	NITRILE / E.P.D.M.
6	BEARING BUSH	PTFE
7	DISC PIN	S.S.304/316
8	GEAR BOX	CAST IRON
9	HAND WHEEL	MS FABRICATED

SEAT TEMPERATURE RANGE

SEAT TYPE	TEMPERATURE RANGE	
	Min.	Max.
NITRILE	-13°F(-25°C)	212°F(100°C)
EPDM	-13°F(-25°C)	250°F(120°C)
SILICON	-58°F(-50°C)	356°F(180°C)
VITON	-23°F(-5°C)	392°F(200°C)
HYPALON	-4°F(-20°C)	250°F(120°C)

TESTING

PRESSURE RATING	HYDROSTATIC SHELL TEST		HYDROSTATIC SEAT TEST	
	Kg/CM2	PSI	Kg/CM2	PSI
PN16	22	310	16	225
PN10	15	210	10	140

CONFORMITY TO CODES & STANDARDS

- 1) GENERAL DESIGN & MANUFACTURE :- API 609
- 2) VALVE FACE TO FACE DIMENSION :- API 609 CAT-A
- 3) TOP FLANGE DRILLING :- ISO 5211
- 4) VALVE INSPECTION & TESTING :- API 598
- 5) FLANGE STANDARD CONFORMITY :- ANSI 150 / IS 6392 NP 1.0 /1.6

THIS DRAWING IS PROPERTY OF SHREENATH ENGINEERING.
SHREENATH ENGINEERING RESERVES RIGHTS OF USE,CHANGE & MODIFY PRODUCT DESIGN OR PRODUCT WITHOUT PRIOR NOTICE.

CHECKED BY :-

APPROVED :-